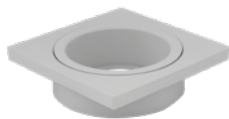


PLUVIAL CATCH-PIT



INDEX

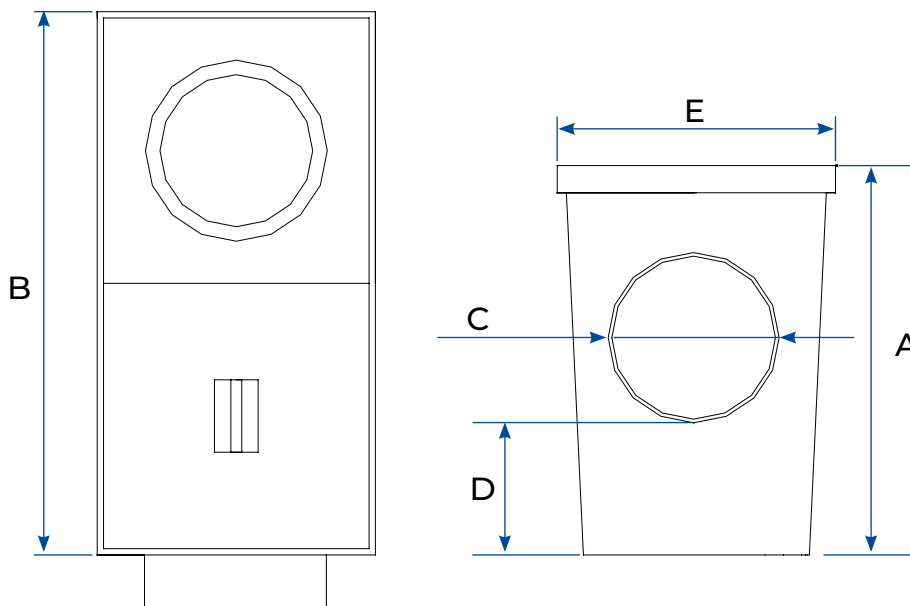
1. Code registry
2. Use
3. Technical specification

1. CODE REGISTRY

Code	Description	Dimensions (mm)	Weight	Colour	Pkg. / Pallet
TER06-1385	Pluvial Catch-Pit with inlet 80-100	235 x 125 x 220	1,100 kg/pc.	Grey	18 pc. / 216 pcs
TER06-1385N	Pluvial Catch-Pit with inlet 80-100 - Black	235 x 125 x 220	1,100 kg/pc.	Black	18 pc. / 216 pcs
TER06-1385S	Pluvial Catch-Pit. Export with inlet 90-110	235 x 125 x 220	1,100 kg/pc.	Grey	18 pc. / 216 pcs
TER06-1390	Rounded Junction	∅ 80-100	0,132 kg/pc.	Grey	50 pc. / - pc.
TER06-1390S	Export Rounded Junction	∅ 90-110	0,114 kg/pc.	Grey	50 pc. / - pc.
TER06-1391	Square Junction	∅ 80-100	0,132 kg/pc.	Grey	50 pc. / - pc.
TER06-1392	Rounded outlet Junction from 100 to 110	∅ 110	0,038 kg/pc.	Grey	84 pc. / - pc.

MATERIAL

Made of PP (polypropylene).



	A	B	C	D	E	
TER06-1385	212	260	100	80	134	mm
TER06-1385N	212	260	100	80	134	mm
TER06-1385S	212	260	100	80	134	mm

PLUVIAL CATCH-PIT

2. USE

Used as an element for the collection of rainwater from the rain pipe of the gutter, directly connected to the water system in the ground.

3. TECHNICAL SPECIFICATION

Specification	Description	Unity	Price
Dak.D.TER06.1385x	Supply and installation of pluvial catch-pit is studied for the collection and horizontal runoff of the rain water. It allows the disposal of water from the rain pipe of the gutter. The bulkhead (provided with the catch-pit) allows a perfect siphoning effect, thus avoiding the return of bad odours. Moreover, it can be easily removed for inspection and/or cleaning. Made of PP (polypropylene). Used as an element for the collection of rainwater from the rain pipe of the gutter, directly connected to the water system in the ground. Dimension 235 x 125 x 220 mm.....		
Dak.D.TER06.1385	Inlet 80-100 - Grey.....	pc.	-
Dak.D.TER06.1385N	Inlet 80-100 - Black.....	pc.	-
Dak.D.TER06.1385S	inlet 90-110 - Grey.....	pc.	-