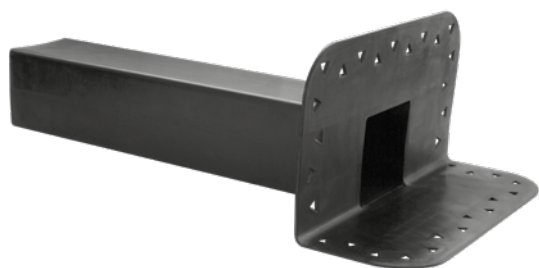


SQUARE DRAINING WATER OUTLET



INDEX

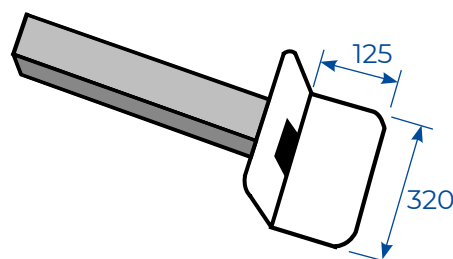
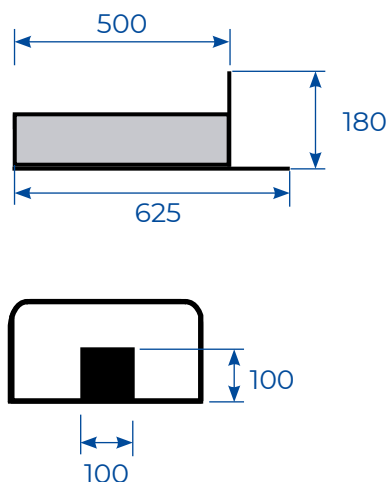
1. Code Registry
2. Use
3. Technical Specification

1. CODE REGISTRY

Code	Description	Dimension (mm)	Colour	Weight	Pkg. / Pallet
BOC02-1115	Draining water outlet	100 x 100	Black	0,538 kg/pcs.	12 pcs. / 48 pcs.
BOC02-1116RA	Corner connection 100 x 100	∅ 80	Black	0,160 kg/pcs.	10 pcs. / 800 pcs.
BOC02-1117	Corner connection 100 x 100	∅ 100	Black	0,170 kg/pcs.	10 pcs. / 800 pcs.

MATERIAL

Made of TPE (thermoplastic elastomer).

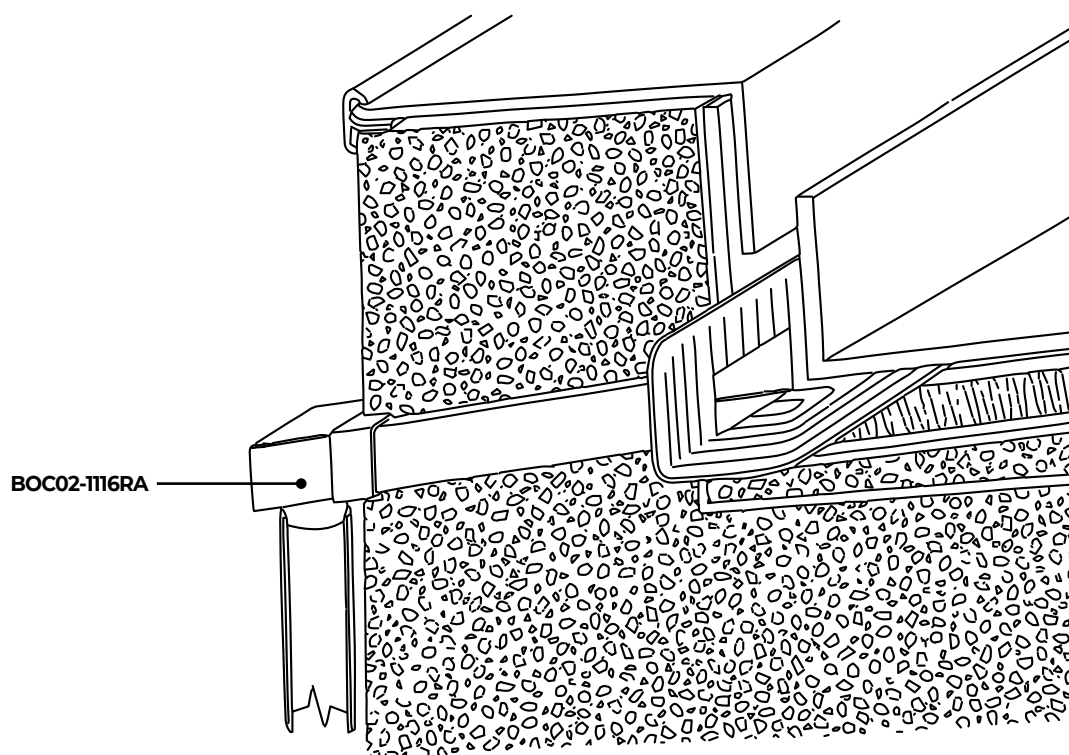


SQUARE DRAINING WATER OUTLET

2. USE

Used for the complete evacuation of rainwater in roof.

- Apply a coat of primer in the area around the hole.
- Apply a first layer of cover membrane.
- Insert the plug in the hole and mark the point in which it must be cut.
- Heat the surface of the waterproof membrane, then adhere to the outlet flange.
- Heat a small piece of membrane. Spread with a spatula on the flange to enable the pipe to adhere to the cover membrane.
- Apply a second waterproofing layer, heating the bitumen, after covering both the flange and the membrane.



3. TECHNICAL SPECIFICATION

Specification	Description	Unity	Price
Dak.O.BOC02.111x	Supply and installation of draining outlet consists in a flange corner and a square tube of 100 x 100 mm and long 500 mm. Made of TPE (thermoplastic elastomer). Used for the complete evacuation of rainwater in roof.		
Dak.O.BOC02.1115	Dimension square pipe 100 x 100 mm.....	pc.	-
Dak.O.BOC02.1116RA	Dimension ø 80 mm.....	pc.	-
Dak.O.BOC02.1117	Dimension ø 100 mm.....	pc.	-