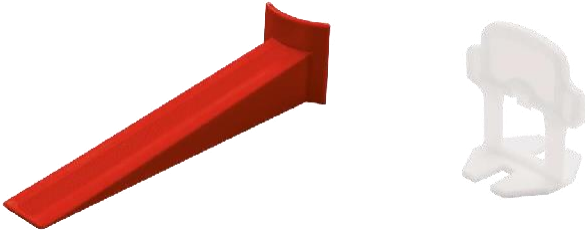


# ZIN LEVEL



## INDEX

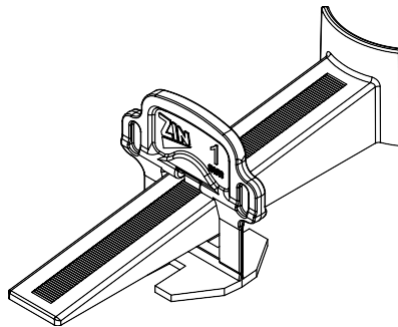
1. Data and Documentation
2. Use
3. Specifications

## 1. DATA AND DOCUMENTATION

Code	Description	Colour	Dimensions (mm)	Weight	Envelope / Pkg. / Pallet
TER04-4208B100	Levelling wedge Blister 100 pcs.	Red	-	0.52 kg/cf.	100 pcs / 14 envelopes / 210 envelopes
TER04-4208EB05	Disposable element 0.5 mm for tiles from 3 to 12 mm	White	0,5	0.675 kg/cf.	250 pcs / 14 envelopes / 210 envelopes
TER04-4208EB1	Disposable element 1 mm for 3 to 12 mm tiles	White	1	0.675 kg/cf.	250 pcs / 14 envelopes / 210 envelopes
TER04-4208EB15	Disposable element 1.5 mm for 3 to 12 mm tiles	White	1,5	0.675 kg/cf.	250 pcs / 14 envelopes / 210 envelopes
TER04-4208EB2	Disposable element 2 mm for 3 to 12 mm tiles	White	2	0.675 kg/cf.	250 pcs / 14 envelopes / 210 envelopes
TER04-4208EB3	Disposable element 3 mm for 3 to 12 mm tiles	White	3	0.675 kg/cf.	250 pcs / 14 envelopes / 210 envelopes

### MATERIAL

Made of PP (homopolymer polypropylene) for the disposable element, PP for the wedge.



INDOOR



