

STEEL CORE DRILL FOR SGR-AV FLAT ANCHOR



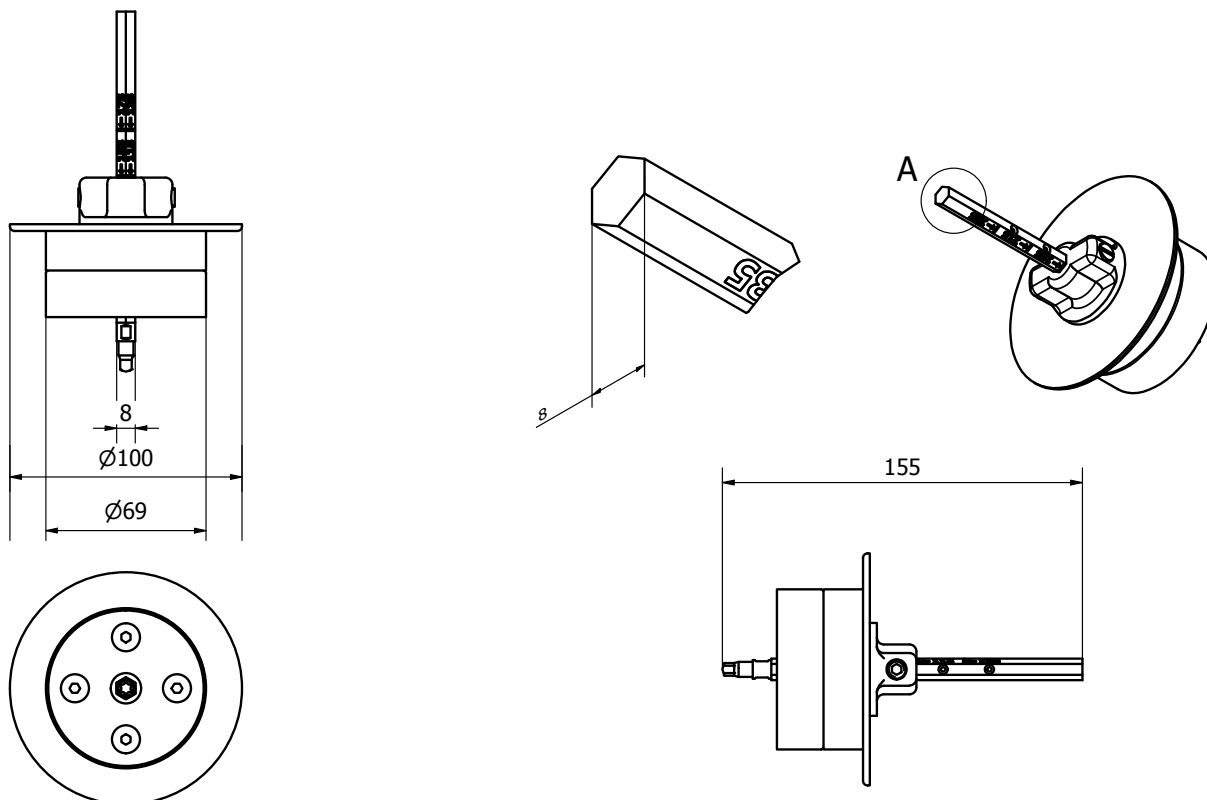
INDEX

1. Code registry
2. Description
3. Use
4. Technical specification

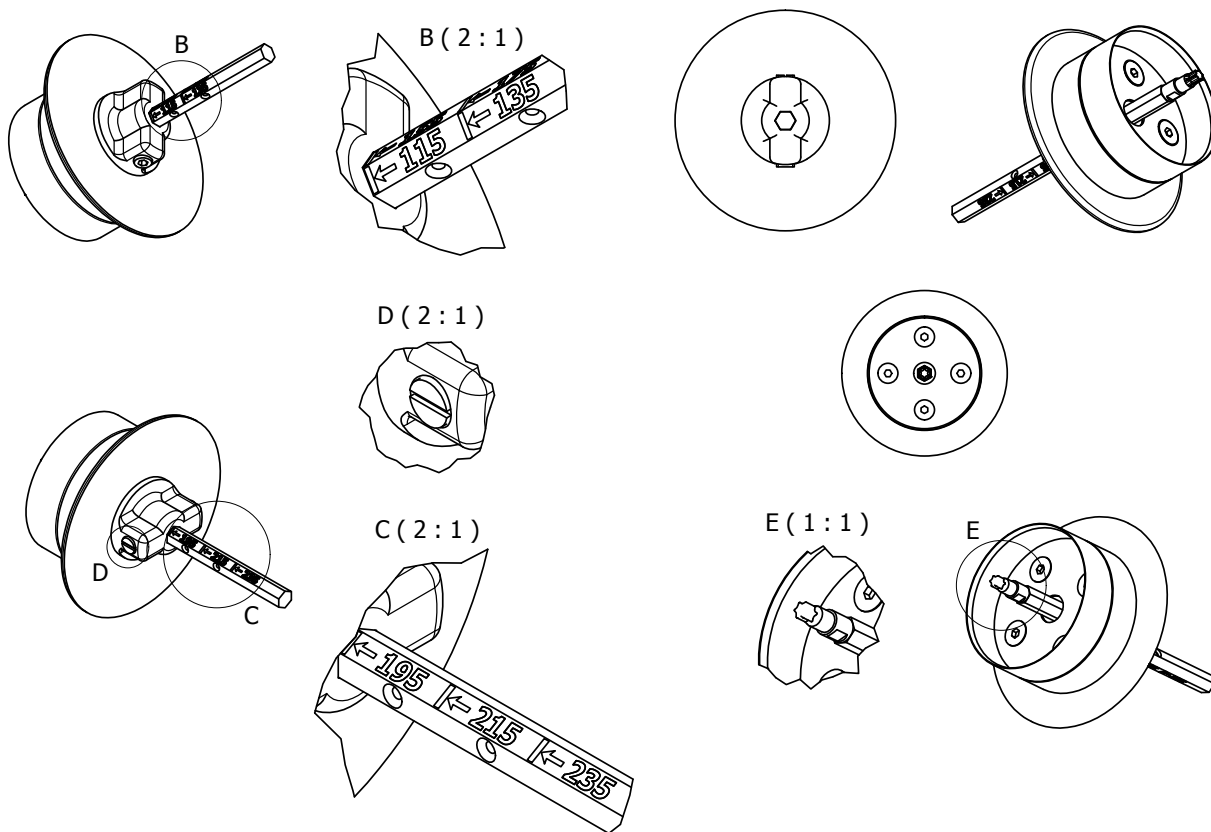
1. CODE REGISTRY

Code	Description	Measures (mm)	Weight (kg/pz.)	Color	Pkg. / Pallet
TERTI-3000AVF	Steel core drill \varnothing 69 mm	\varnothing 69	0,270	-	100 pcs. / 3,000 pcs.

MATERIAL Stainless steel, aluminum, carbon steel screws



STEEL CORE DRILL FOR SGR-AV FLAT ANCHOR



2. DESCRIPTION

Steel core drill, individually packaged in cardboard boxes

3. USE

The TER11-3000AVF core drill is used exclusively for preparing the installation site for the SGR-AV FLAT anchor.

The anchor can be installed flush with the surface, with subsequent coverage using a special cover/insulation disc, or flush-mounted, without the need for the discs.

4. TECHNICAL SPECIFICATION

Item	Description	Unit	Price
Dak.B.TER11.3000AVF	Supply and installation of a 69 mm diameter steel core drill bit, individually packaged in cardboard boxes. Exclusively for preparing the hole for the SGR-AV FLAT anchor. Compatible with all substrates. Made of stainless steel, aluminum, and carbon steel screws.....	pc.	-