

ADJUSTABLE ANCHOR ARK-DUO



INDICE

1. Code registry
2. Description
3. Use
4. Technical specification

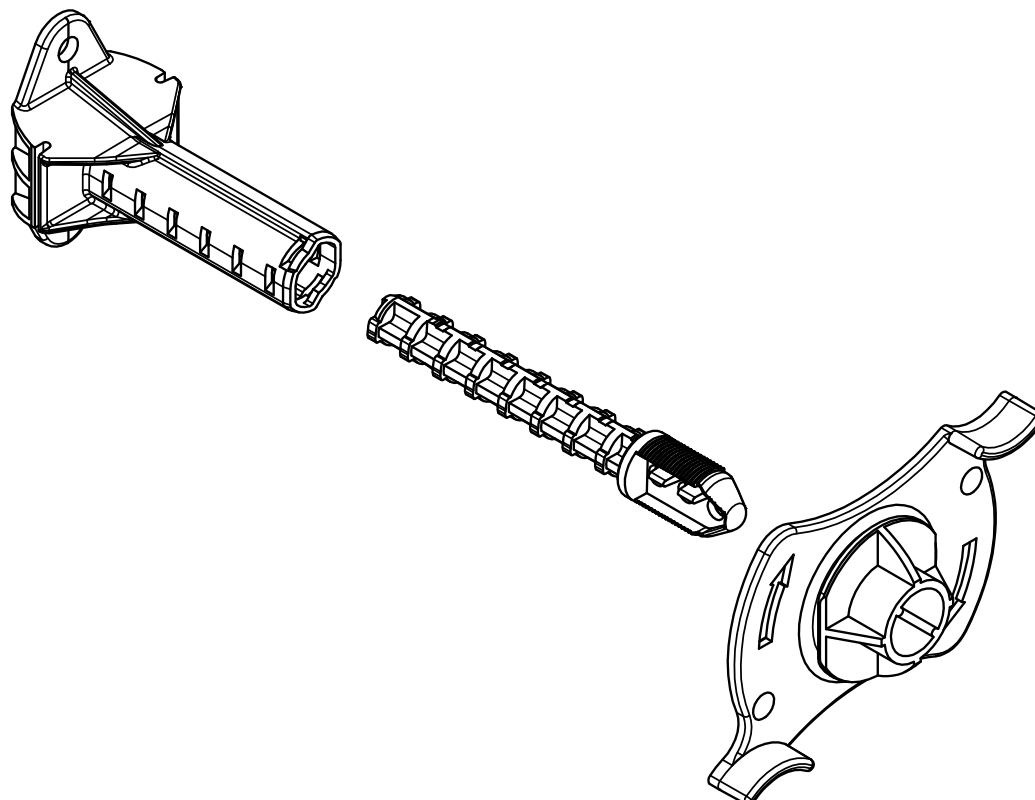
1. CODE REGISTRY

Code	Description	Measures (mm)	Weight (gr/pc)	Color	Pkg. / Pallet
CAR44-80140BR	Adjustable Anchor Ark-Duo 80	80 - 140	7,0	Blue	100 pz. / 7.200 pz.

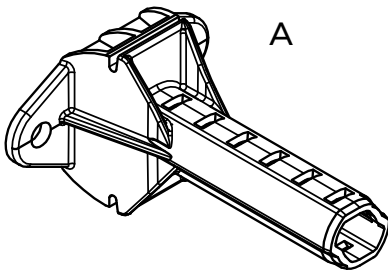
MATERIAL Made of PA (polyamide) and fiberglass.

2. DESCRIPTION

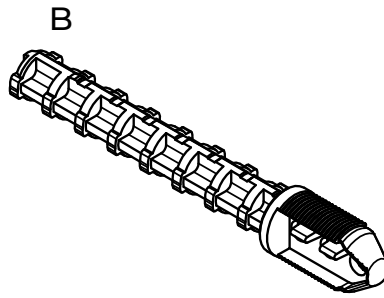
The Ark-Duo adjustable anchor is a telescopic product for indoor use, measuring from 80 to 140 mm, which facilitates and speeds up the installation and fixing of insulation and plasterboard.



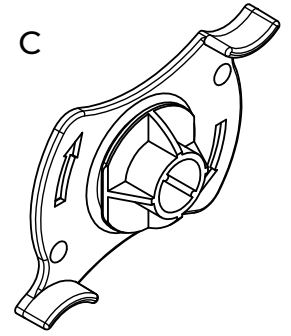
ADJUSTABLE ANCHOR ARK-DUO



A

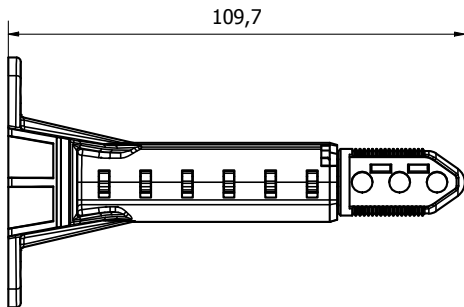


B

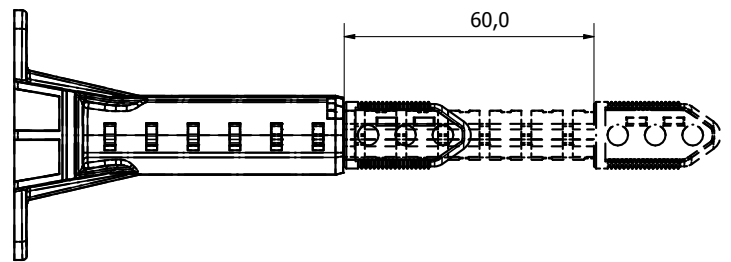


C

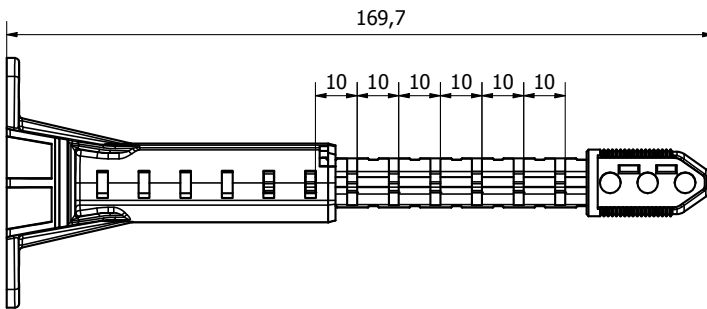
A+B



109,7



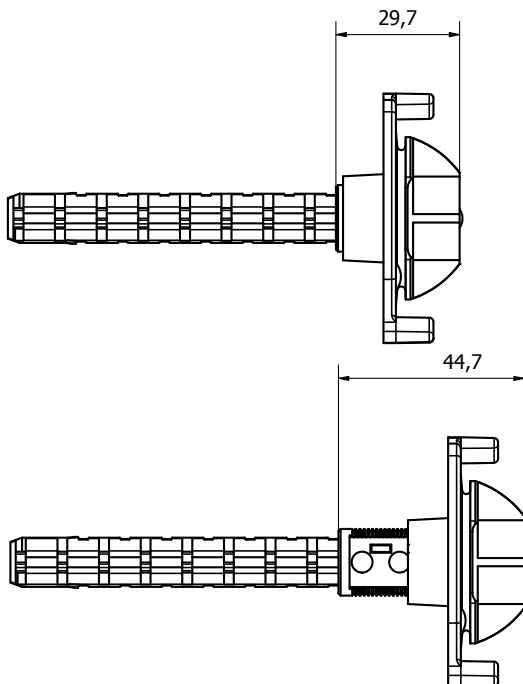
60,0



169,7

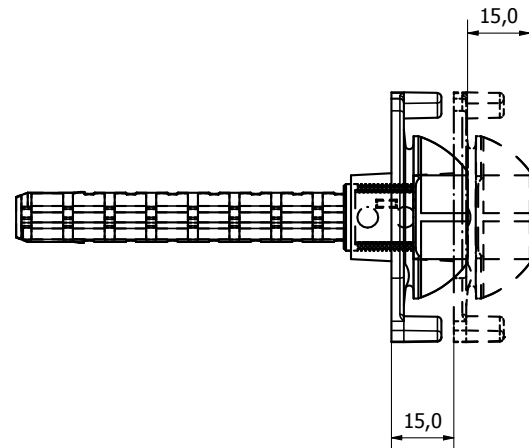
10 10 10 10 10 10

B+C



29,7

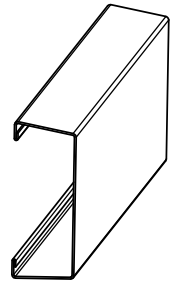
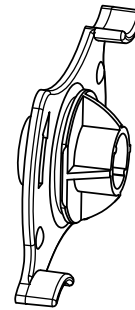
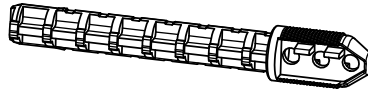
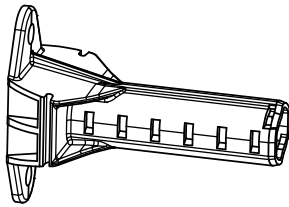
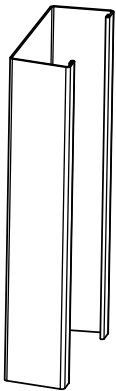
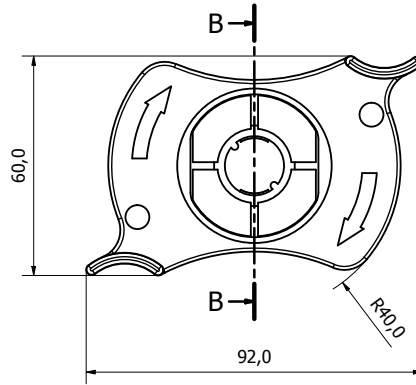
44,7



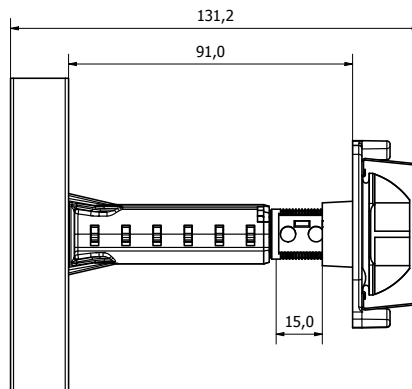
15,0

15,0

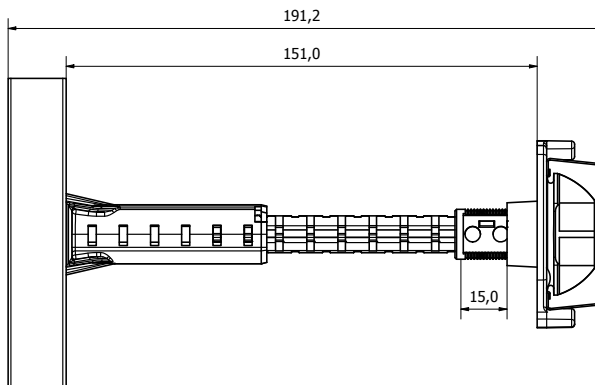
ADJUSTABLE ANCHOR ARK-DUO



MINIMUM DISTANCE



MAXIMUM DISTANCE



ADJUSTABLE ANCHOR ARK-DUO

3. USE

The Ark-Duo adjustable anchor is used to maintain the necessary distance between the existing wall and the new plasterboard wall, thus allowing the installation of isolation panels between the two. It can be used on both regular and irregular walls, with a metal structure for plasterboard or fixed directly onto the existing wall. **The support can only be used with a structure with a flattened edge.**

4. TECHNICAL SPECIFICATION

Item	Description	U.M.	Price
Dak.B.CAR44-80140BR	Supply and installation of adjustable anchors used to maintain the necessary distance between an existing wall and the new plasterboard wall, thus allowing quick and easy installation of an insulation panel between the two. It can be used on both regular and irregular walls, with a metal structure for plasterboard or fixed directly to the existing wall. Made of PA (polyamide) and fiberglass. Sizes from 80 to 140 mm.	pz.	-