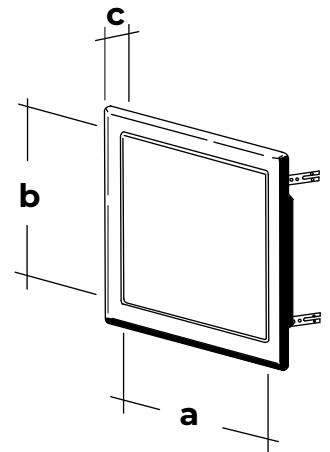


# FIXPRO WHITE ACCESS PANEL



## INDEX

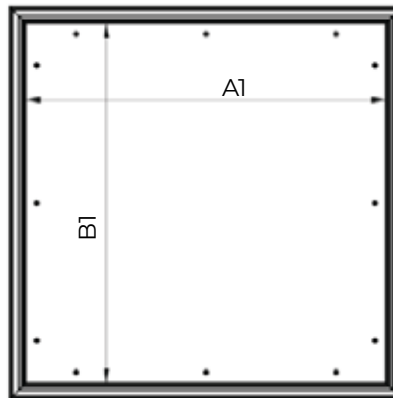
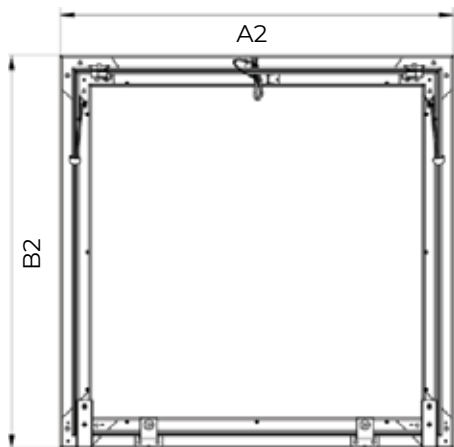
1. Registry codes
2. Description
3. Use
4. Features
5. Installation and storage
6. Technical specification



## 1. REGISTRY CODES

Code	Description	Measure	Thickness	Weight (kg/pc.)	Pkg / Pallet
		a x b (mm)	c (mm)		1
FIX06-6090W	Aluminum Access Panel - White	200 x 200	2	0,9	1 / 272
FIX06-6091W	Aluminum Access Panel - White	300 x 300	2	1,4	1 / 144
FIX06-6092W	Aluminum Access Panel - White	400 x 400	2	2,3	1 / 100
FIX06-6093W	Aluminum Access Panel - White	500 x 500	2	3,4	1 / 62
FIX06-6094W	Aluminum Access Panel - White	600 x 600	2	4,5	1 / 40

**MATERIAL** Powder coated aluminum frame, plaster panel water resistant with no fixing screws exposed.



Code	Nominal size	Opening size (A1 x B1)	Overall size (A2 x B2)
FIX06-6090W	200 x 200	200 x 200	256 x 256
GAN01-6091W	300 x 300	300 x 300	356 x 356
GAN01-6092W	400 x 400	400 x 400	456 x 456
GAN01-6093W	500 x 500	500 x 500	556 x 556
GAN01-6094W	600 x 600	600 x 600	656 x 656

# FIXPRO WHITE ACCESS PANEL

## 2. DESCRIPTION

Inspection hatch with hydro panel (suitable for wet rooms).  
 Dustproof rubber gasket and a manual releasable panel with snap closure.  
 Snap hook replaceable.  
 Individually packed in box.

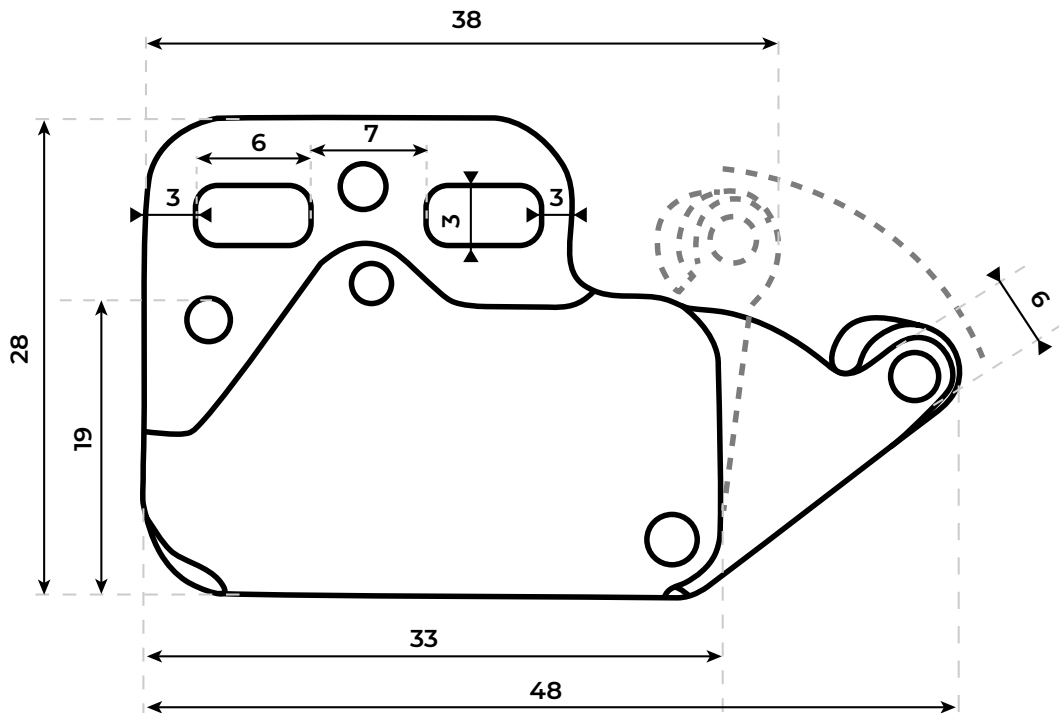
## 3. USE

The access panel is designed to be install in a gypsum board opening for ceiling and wall applications. Access panel leafs can be removed and re-installed to gain access to the void area.

## 4. FEATURES

- 2 mm aluminum profile frame with white powder coating finish.
- 12,5 mm moisture resistant gypsum board.
- Touch locks and safety chains.
- Easy to install
- Consistent continuous surfaces.
- Virtually invisible access.
- Conecealed hinges and lpcks.
- Lift out doors with safety cables.

The hinges are made of anticorrosion G90 galvanized steel, 2.00 thickness to ensure the stability of the material of the access panels.  
 Steel material thickness: 2 mm



*Measurements expressed in millimeters*

# FIXPRO WHITE ACCESS PANEL

## 5. INSTALLATION AND STORAGE

It is important to observe appropriate health and safety legislation when working on site i.e. personal protective clothing and equipment. The following notes are intended as general guidance only. In practice, consideration must be given to design criteria requiring specific project solution.

The access panel is designed to be install in a drywall ceiling. Access panel leafs can be removed and re-installed to gain access to the void area.

- Clean, continuous surfaces without visible hardware.
- Leafs are fixed in a concealed mechanical touch-latch.

### Installation

- Remove the leaf from the frame.
- Draw around the access panel inner rim where the aperture size is required.
- Cut aperture using a plasterboard saw and install the frame in the ceiling.
- Ensure frame is set square into ceiling aperture. Fix frame through face of plasterboard using screws (minimum of 2 fixing per side and at a maximum of 300mm centres).
- Refit the leaf into the frame and check operation prior to finishing. Remove the leaf.
- Finish as required.
- Insert back the panel to the frame.
- Install safety chains from the frame to the leaf.

### Leaf removal

Push the panel from the latch area.  
 Pull the panel gently. The safety chains will support the panel from the frame to slide down.  
 Unlock the safety chain from the frame to have a clear access.  
 Pull out the panel thoroughly out of the frame

### Storage

Store in dry condition, avoid damaging the packaging, particularly the sharp corners

## 6. TECHNICAL SPECIFICATION

Code	Description	Unity	Price
<b>Dak.D.FIX06.609x</b>	Inspection hatch with hydro panel (suitable for wet rooms). Dustproof rubber gasket and a manual releasable panel with snap closure. Snap hook replaceable. Individually packed in box.	pc.	-
<b>Dak.D.FIX06-6090W</b>	200 x 200.....	pc.	-
<b>Dak.D.FIX06-6091W</b>	300 x 300.....	pc.	-
<b>Dak.D.FIX06-6092W</b>	400 x 400.....	pc.	-
<b>Dak.D.FIX06-6093W</b>	500 x 500.....	pc.	-
<b>Dak.D.FIX06-6094W</b>	600 x 600.....	pc.	-