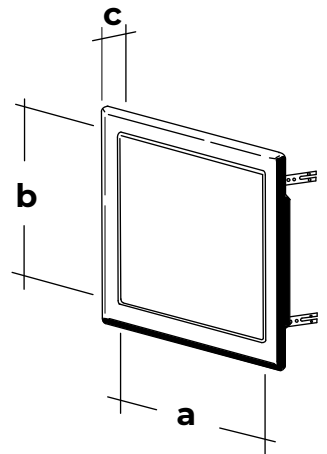


FIXPRO SILVER ACCESS PANEL



INDEX

1. Registry codes
2. Description
3. Use
4. Features
5. Installation and storage
6. Technical specification



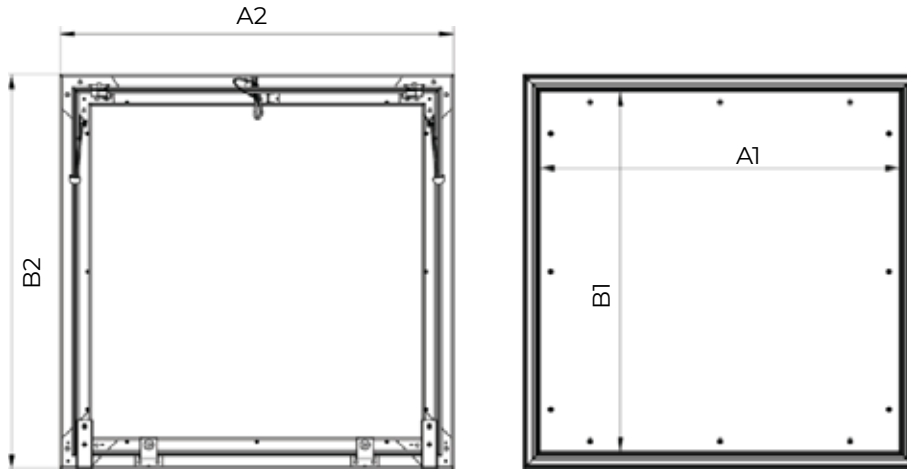
1. REGISTRY CODES

Code	Description	Measures	Thickness	Color	Weight (kg/pz.)	Pkg. / Pallet
		a x b (mm)	c (mm)			
FIX06-6090S	Aluminum Access Panel - Silver	200 x 200	20	Aluminum	0,9	1 / 180
FIX06-6091S	Aluminum Access Panel - Silver	300 x 300	20	Aluminum	1,4	1 / 128
FIX06-6092S	Aluminum Access Panel - Silver	400 x 400	20	Aluminum	2,3	1 / 92
FIX06-6070S	Aluminum Access Panel - Silver	400 x 600	20	Aluminum	-	1 / 48
FIX06-6071S	Aluminum Access Panel - Silver	400 x 1.000	20	Aluminum	-	1 / 30
FIX06-6093S	Aluminum Access Panel - Silver	500 x 500	20	Aluminum	3,4	1 / 55
FIX06-6094S	Aluminum Access Panel - Silver	600 x 600	20	Aluminum	4,5	1 / 39
FIX06-6072S	Aluminum Access Panel - Silver	600 x 1.200	20	Aluminum	-	1 / 20
FIX06-6795S	Aluminum Access Panel - Silver	800 x 800	20	Aluminum	-	1 / 26
FIX06-6096S	Aluminum Access Panel - Silver	800 x 1.200	20	Aluminum	-	1 / 23

2. DESCRIPTION

Inspection hatch with hydro panel (suitable for wet rooms).
 Dustproof rubber gasket and a manual releasable panel with snap closure.
 Snap hook replaceable.
 Individually packed in box.

FIXPRO SILVER ACCESS PANEL



Code	Nominal size (mm)	Opening size (mm) (A1 x B1)	Overall size (mm) (A2 x B2)
FIX06-6090S	200 x 200	200 x 200	256 x 256
FIX01-6091S	300 x 300	300 x 300	356 x 356
FIX01-6092S	400 x 400	400 x 400	456 x 456
FIX06-6070S	400 x 400	400 x 400	456 x 456
FIX06-6071S	400 x 1.000	400 x 1.000	456 x 1.056
FIX01-6093S	500 x 500	500 x 500	556 x 556
FIX01-6094S	600 x 600	600 x 600	656 x 656
FIX06-6072S	600 x 1.200	600 x 1.200	656 x 1.256
FIX01-6795S	800 x 800	800 x 800	856 x 756
FIX01-6096S	600 x 1.200	600 x 1.200	656 x 1.256

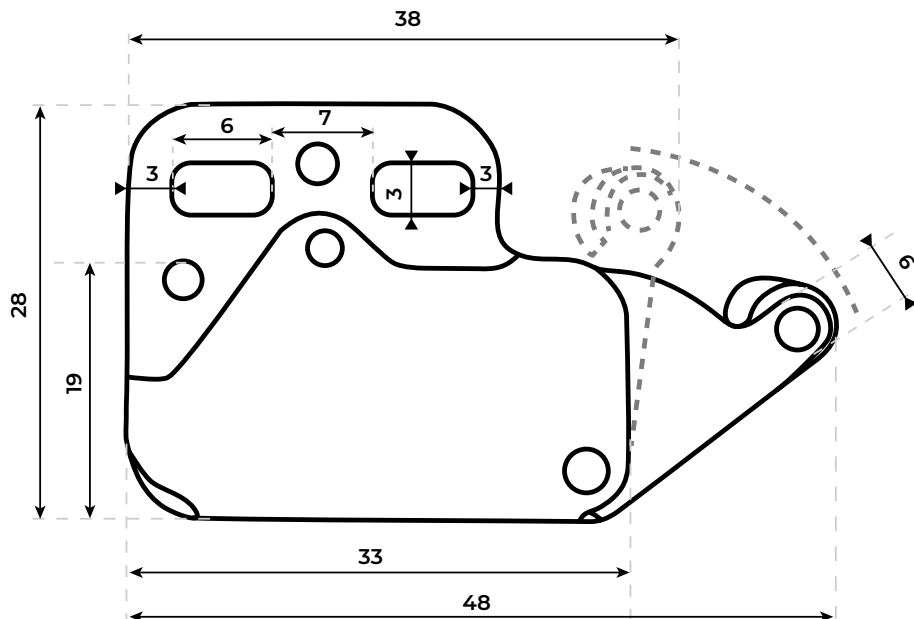
3. USE

The access panel is designed to be install in a gypsum board opening for ceiling and wall applications. Access panel leafs can be removed and re-installed to gain access to the void area.

4. FEATURES

- 2 mm aluminum profile frame with aluminum finish.
- 12,5 mm moisture resistant gypsum board.
- Touch locks and safety chains.
- Easy to install
- Consistent continuous surfaces.
- Virtually invisible access.
- Conecealed hinges and lpcks.
- Lift out doors with safety cables.

The hinges are made of anticorrosion G90 galvanized steel, 2.00 thickness to ensure the stability of the material of the access panels. Steel material thickness: 2 mm



Measurements expressed in millimeters

FIXPRO SILVER ACCESS PANEL

5. INSTALLATION AND STORAGE

It is important to observe appropriate health and safety legislation when working on site i.e. personal protective clothing and equipment. The following notes are intended as general guidance only. In practice, consideration must be given to design criteria requiring specific project solution.

The access panel is designed to be install in a drywall ceiling. Access panel leafs can be removed and re-installed to gain access to the void area.

- Clean, continuous surfaces without visible hardware.
- Leafs are fixed in a concealed mechanical touch-latch.

Installation

- Remove the leaf from the frame.
- Draw around the access panel inner rim where the aperture size is required.
- Cut aperture using a plasterboard saw and install the frame in the ceiling.
- Ensure frame is set square into ceiling aperture. Fix frame through face of plasterboard using screws (minimum of 2 fixing per side and at a maximum of 300mm centres).
- Refit the leaf into the frame and check operation prior to finishing. Remove the leaf.
- Finish as required.
- Insert back the panel to the frame.
- Install safety chains from the frame to the leaf.

Leaf removal

Push the panel from the latch area.
 Pull the panel gently. The safety chains will support the panel from the frame to slide down.
 Unlock the safety chain from the frame to have a clear access.
 Pull out the panel thoroughly out of the frame

Storage

Store in dry condition, avoid damaging the packaging, particularly the sharp corners

6. TECHNICAL SPECIFICATION

Code	Description	Unit	Price
Dak.D.FIX06.609x	Inspection hatch with hydro panel (suitable for wet rooms). Dustproof rubber gasket and a manual releasable panel with snap closure. Snap hook replaceable. Individually packed in box.	pc.	-
Dak.D.FIX06-6090S	200 x 200.....	pc.	-
Dak.D.FIX06-6091S	300 x 300.....	pc.	-
Dak.D.FIX06-6092S	400 x 400.....	pc.	-
Dak.D.FIX06-6070S	400 x 600.....	pc.	-
Dak.D.FIX06-6071S	400 x 1.000.....	pc.	-
Dak.D.FIX06-6093S	500 x 500.....	pc.	-
Dak.D.FIX06-6094S	600 x 600.....	pc.	-
Dak.D.FIX06-6072S	600 x 1.200.....	pc.	-
Dak.D.FIX06-6095S	800 x 800.....	pc.	-
Dak.D.FIX06-6096S	600 x 1.200.....	pc.	-